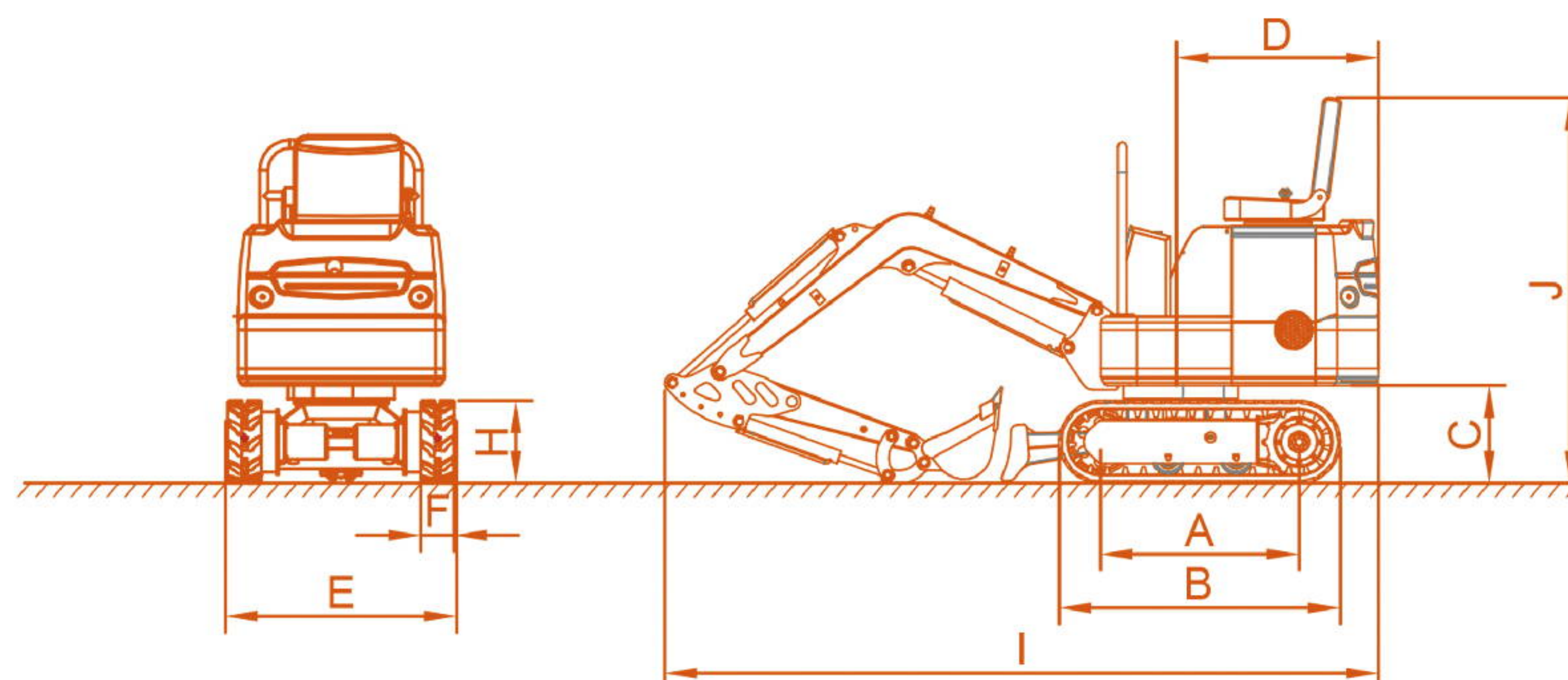
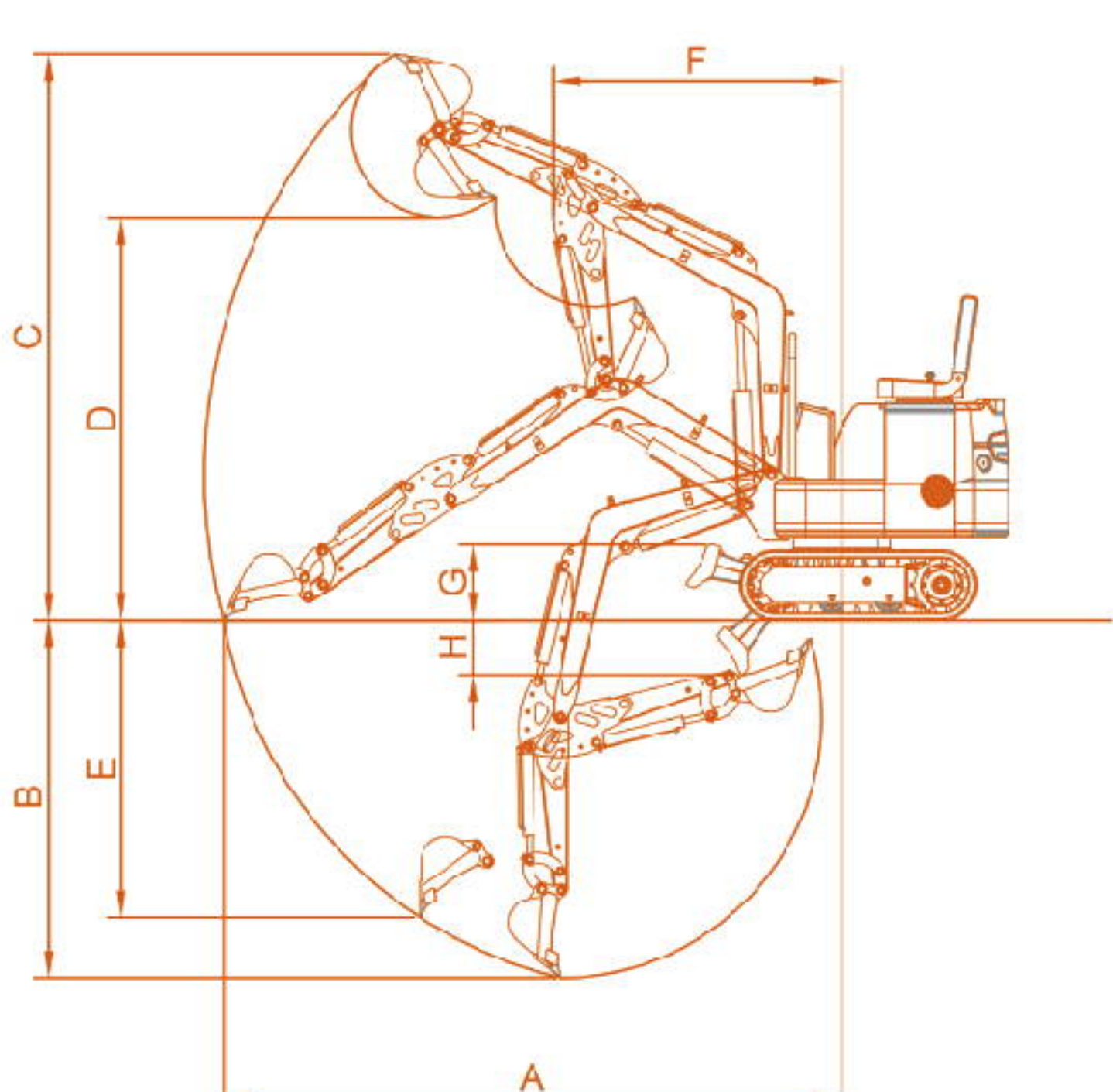






EVERUN ERE08 CRAWLER EXCAVATOR



Standard Configuration

Changchai Engine, Standard Bucket, LED Light, SAISIDA Pump, BEIFANG Valve, SJ-TECH Swing Motor, KERSEN Traveling Motor, Free Service Spare Parts.

Optional Configuration

Canopy, 200mm Narrow Bucket, 500mm Cleaning Bucket, Grabber, Auger, Ripper.

Technical Parameter

Digging Bucket Capacity	0.025cbm/120kg	Bucket Digging Force	9.5Kn
Engine	CHANGCHAI / KOOP	Electric Pressure	12V
Rated Power	8.6kw/3600r/min	Electrick Power	5W
Bore Stroke	Single Cylinder, Fan Cool	Wheel Base	896mm
Hydraulic Pump Pressure	16Mpa	Chassis Width	180mm
Swing Motor	SJ-TECH (MP-1-160)	Track Height	320 mm
Traveling Motor	KERSEN (OMS-2450)	Net Weight	800kg
Total Length of Track on Land	1230mm	Bucket Width	350mm
Chassis Ground Clearance	132mm	Displacement	6.8ml/r
Max. Digging Depth	1650mm	Pump Flow	16L/min
Max. Digging Height	2610 mm	Valve	BEIFANG
Max. Dumping Height	1850 mm	Main Pump	SAISIDA
Min. Rotation Radius	1330 mm	Hydraulic Oil Tank	16.5L
Overall Dimension (L x W x H)	2770x896x1490mm	Diesel Oil Tank	7L
Arm Digging Force	5.0Kn		

Qingdao Everun Machinery Co.,Ltd

Address : Room 902, Yongxin International Finance Centre
No.6 Qinling Road, Qingdao, China

Tel : +86-532-80997859

Website: www.everun.cc

••••• : www.everun.com

Email : info@everun.cc

Fax: +86-532-80993178

