



EVERUN ER15 WHEEL LOADER 4WD

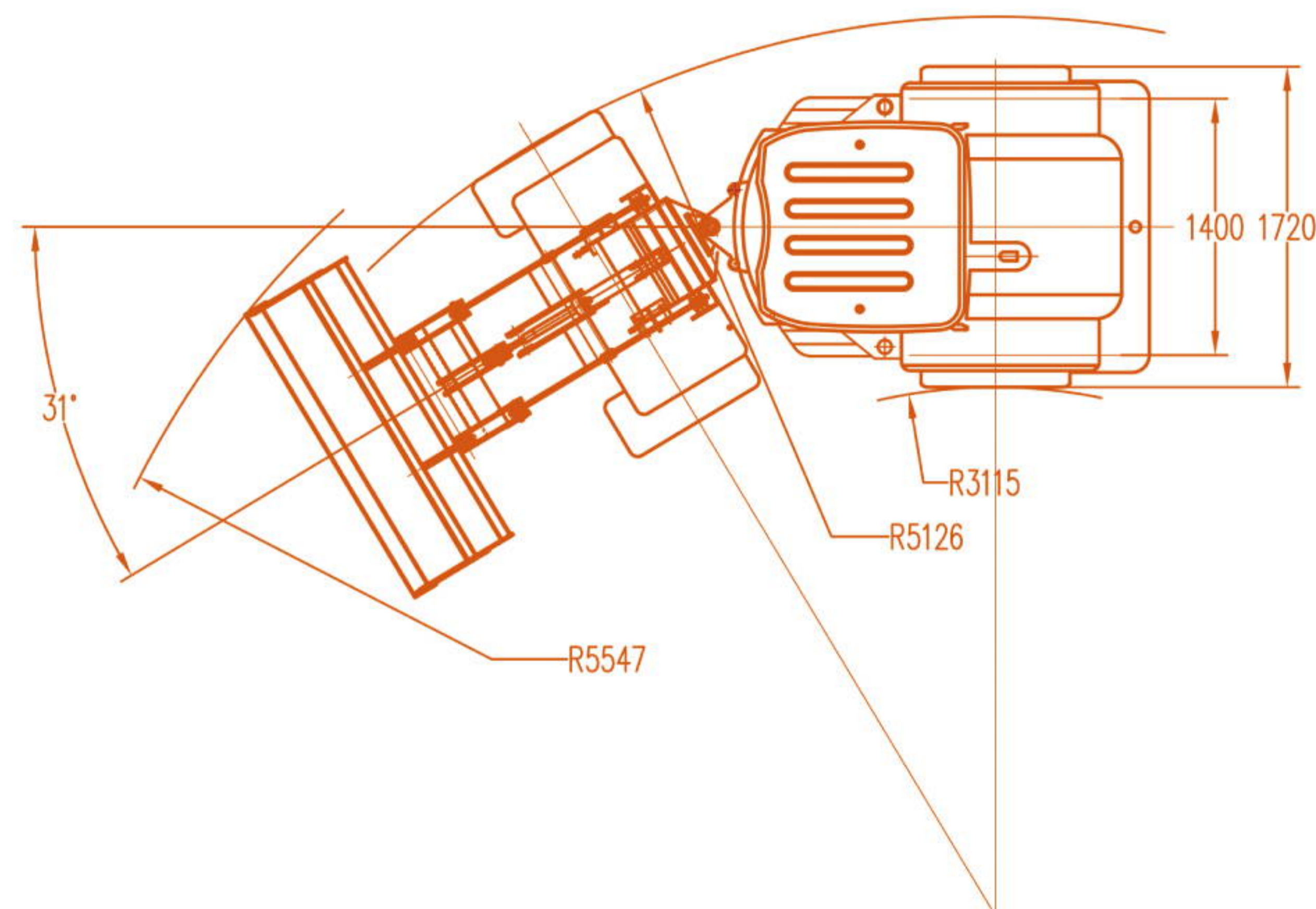
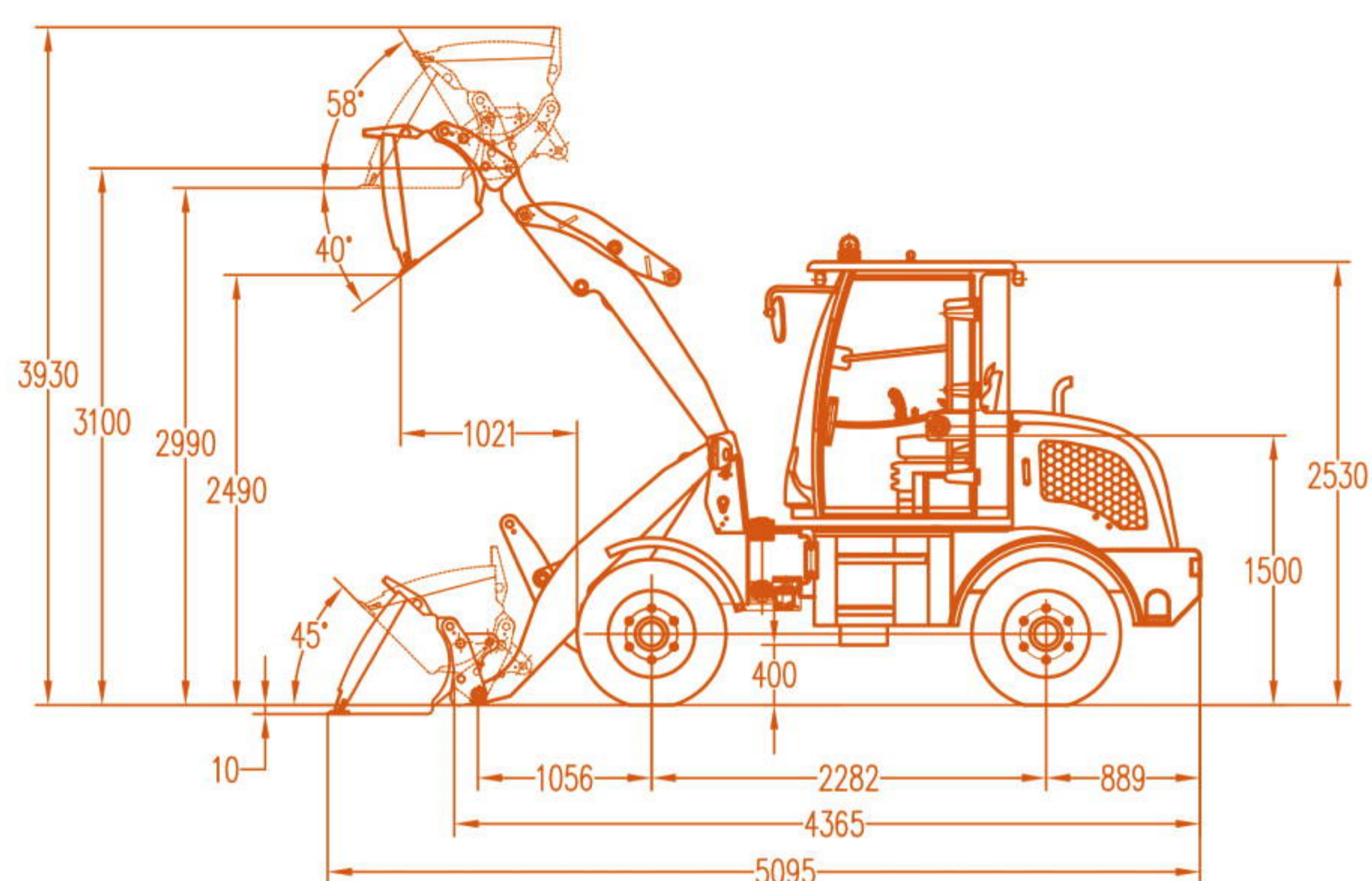
Standard Configuration

Standard Bucket, Xinchai498 Engine(euro3 engine), Torque Converter Transmission System, Rops & Fops Cabin Electric Joystick, Quick Hitch, Floating Function, Tipping Cabin, Adjustable Steering Wheel, Comfortable Seat, Cabin Heater, Backward Camera, Hydraulic-Pressure Checking System, Engine Heater, 20.5/70-16 Agricultural Tyres, Lock for Lifting and Steering Cylinder, Parallel Linkage System, Free Service Spare Parts.

Optional Configuration

Air Conditioner, Extra Hydraulic Line, LED Light, E4 Lamp, Varta Anti-Freeze Battery, 31*15.5-15 Agricultural Tyres 33*15.5-16.5 Turf Tyres, Three-Point Hitch, Loading Damper, Centralized Lubrication System, Loader Weighter, 5 Functions Electric Joystick, Kohler 1903TCR Engine(EPA4), Cummins QSF2.8 Engine(EPA4), Yanmar 4TNV94L Engine(Euro3), Different Attachment.

Technical Parameter



Bucket Capacity	0.6m ³
Loading Capacity	1500kg
Max. Driving Speed(I/II)	10/22km/h
Fuel Consumption Ration	238g/km·h
Engine Model	XinChai 498
Engine Power	36.8kw
Service Brake	Four Wheel Hydraulic Spread-Shoed Brake

Net Weight	3600kg
Lifting Time	7s
Working Pressure	17mpa
Wheel Base	2282mm
Breakout Force	28kn
Tyre	20.5/70-16
Oil Flow	72L/min
Rated Speed	2400r/min

Qingdao Everun Machinery Co.,Ltd

Address : Room 902, Yongxin International Finance Centre
No.6 Qinling Road, Qingdao, China

Tel : +86-532-80997859
Website: www.everun.cc
••••• : www.everun.com
Email : info@everun.cc
Fax: +86-532-80993178

