





# EVERUN ER406 WHEEL LOADER 4WD

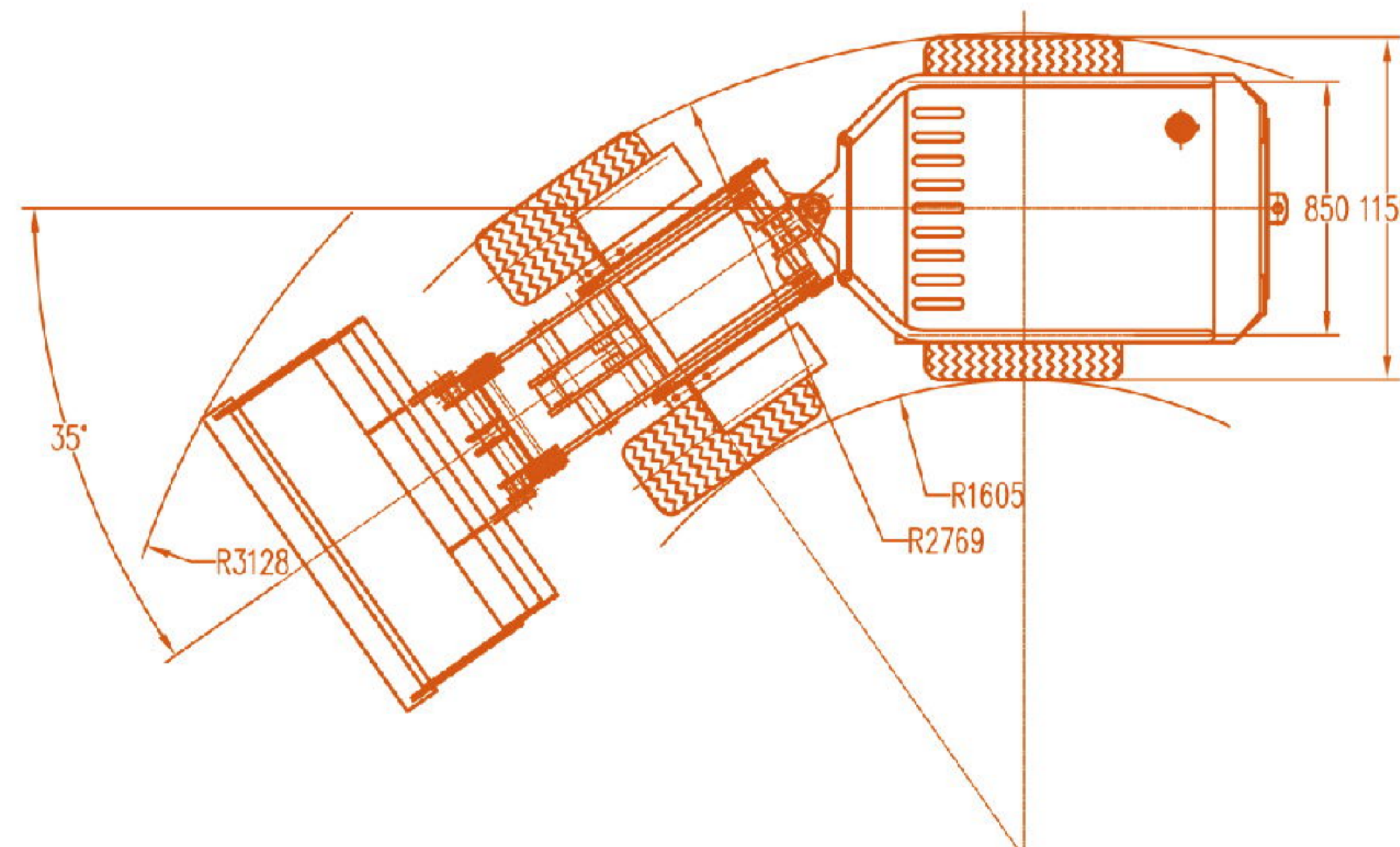
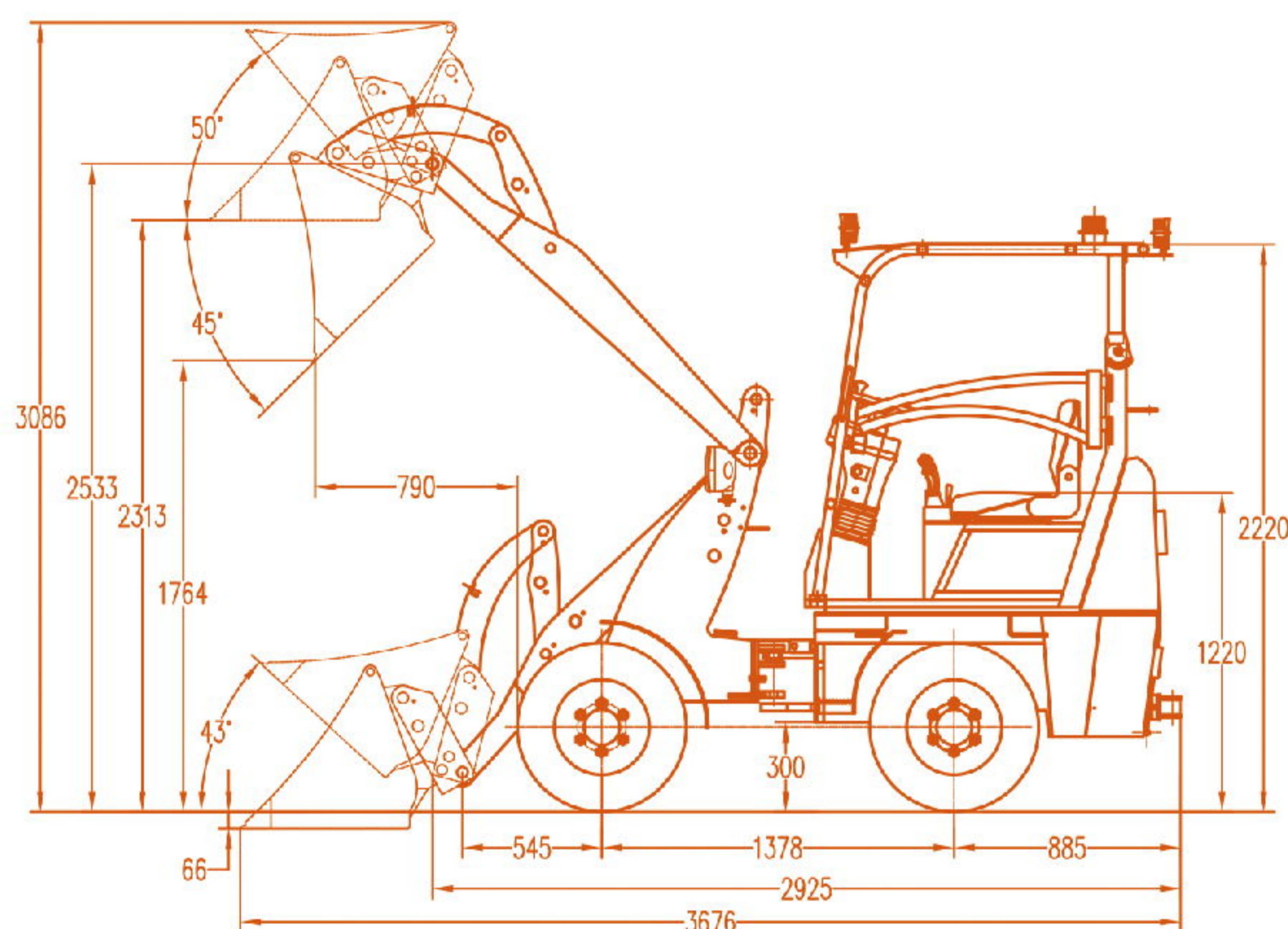
## Standard Configuration

Standard Bucket, Yanmar 3TNV88-BSSY Engine(Euro3), Unclosed Cabin, Tipping Cabin, Italy Hydrostatic Transmission System, Quick Hitch, Floating Function, Electric Joystick, Hydraulic-Pressure Checking System, 26\*12-12 Tyres, Parallel Linkage System, Free Service Spare Parts.

## Optional Configuration

Closed Cabin, Led Light, E4 Lamp, Varta Anti-Freeze Battery, Extra Hydraulic Line, Yanmar 3tnv88-essy Engine(Epa4), Kohler 1003 Engine(Epa4), Different Attachments.

## Technical Parameter



Bucket Capacity	0.26m <sup>3</sup>	Net Weight	1700kg
Loading Capacity	600kg	Lifting Time	≤8.0s
Max. Driving Speed(I/II)	12km/h	Working Pressure	17mpa
Fuel Consumption Ration	257g/km·h	Wheel Base	1378mm
Engine Model	Yanmar 3TNV88-BSSY	Breakout Force	13kn
Engine Power	19.6kw	Tyre	26*12-12
Service Brake	Four Wheel Hydraulic Spread-Shoed Brake	Oil Flow	28L/min
		Rated Speed	2200r/min

**Qingdao Everun Machinery Co.,Ltd**

Address : Room 902, Yongxin International Finance Centre  
No.6 Qinling Road, Qingdao, China

Tel : +86-532-80997859

Website: [www.everun.cc](http://www.everun.cc)

•••••  : [www.everun.com](http://www.everun.com)

Email : [info@everun.cc](mailto:info@everun.cc)

Fax: +86-532-80993178

