





# EVERUN ER412 WHEEL LOADER 4WD

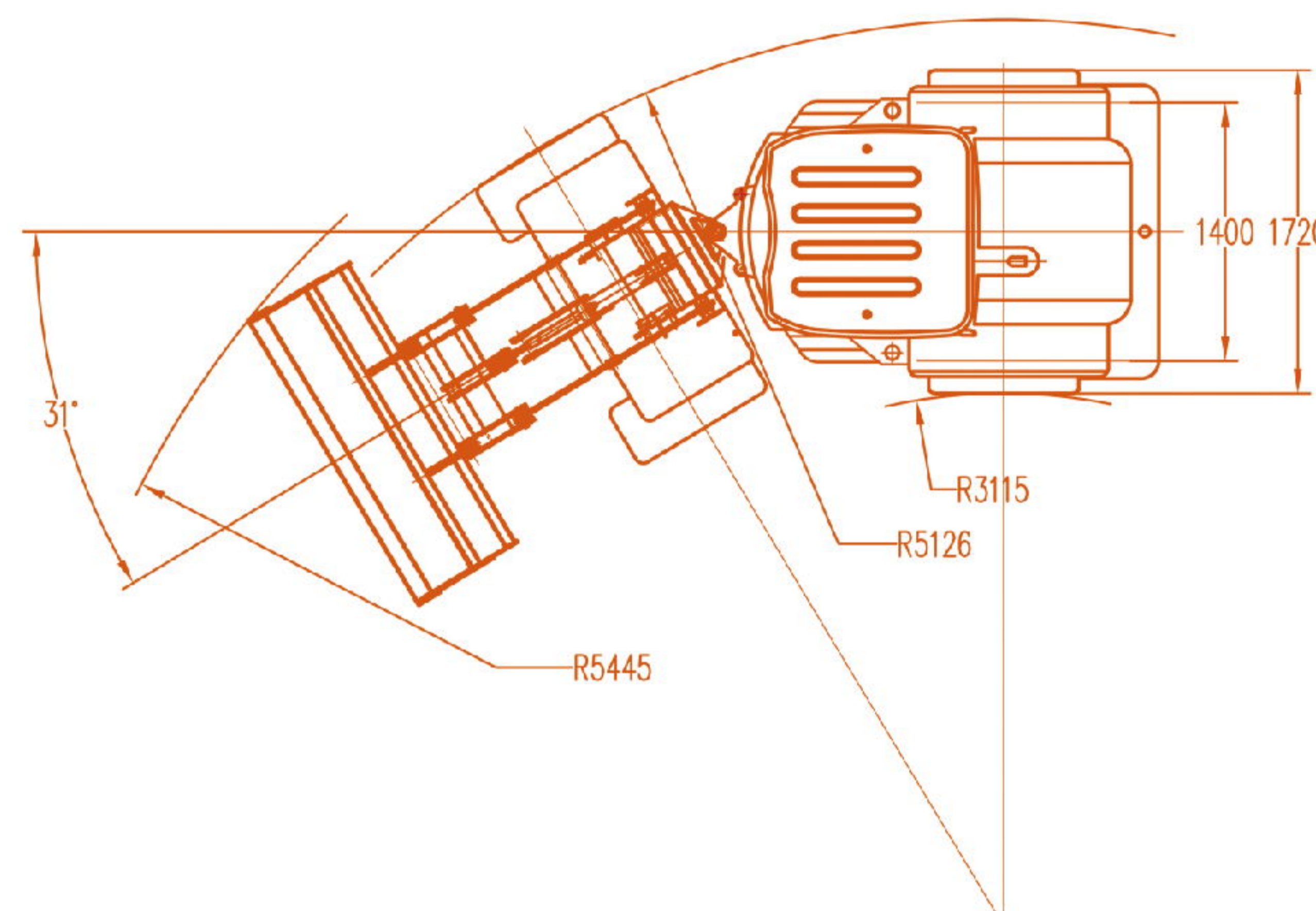
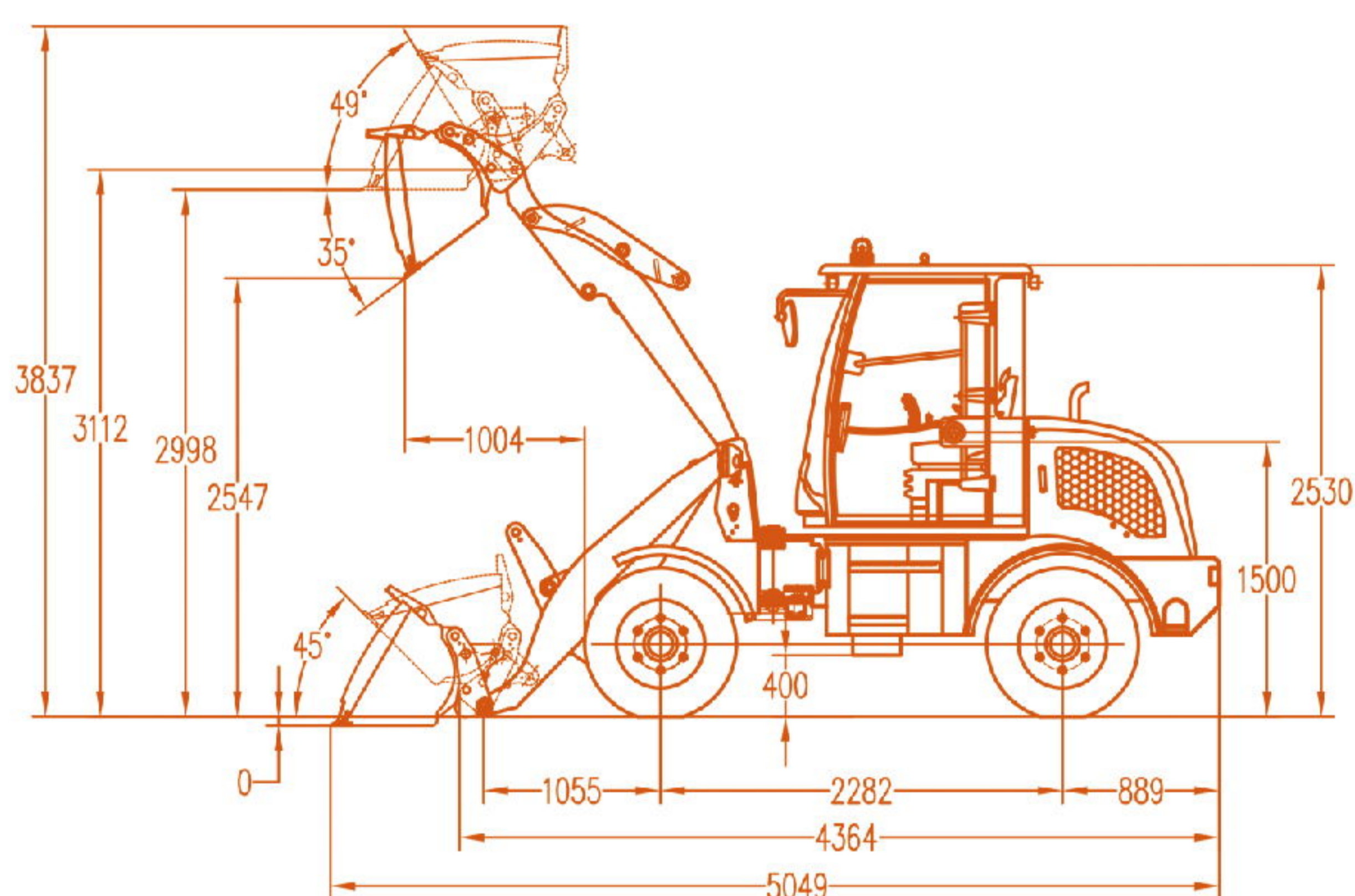
## Standard Configuration

Standard Bucket, Xinchai490 Engine(Euro3 Engine), Torque Converter Transmission System, Rops &Fops Cabin, Mechanical Joystick, Floating Function, Tipping Cabin, Adjustable Steering Wheel, Comfortable Seat, Cabin Heater Backward Camera, Hydraulic-Pressure Checking System, Engine Heater, 20.5/70-16 Agricultural Tyres, Lock for Lifting and Steering Cylinder, Parallel Linkage System, Free Service Spare Parts.

## Optional Configuration

Quick Hitch, Electric Joystick, Air Conditioner, Extra Hydraulic Line, LED Light, E4 Lamp, Varta Anti-Freeze Battery 31\*15.5-15 Agricultural Tyres, 33\*15.5-16.5 Turf Tyres, Tyre Chain, Three-Point Hitch, Loading Damper, Centralized Lubrication System, Loader Weighter, 5 Functions Electric Joystick, Kohler 1903TCR Engine(EPA4), Cummins QSF2.8 Engine(EPA4), Yanmar 4TNV94L Engine(Euro3), Different Attachments

## Technical Parameter



Bucket Capacity	0.53m <sup>3</sup>	Net Weight	3300kg
Loading Capacity	1200kg	Lifting Time	7s
Max. Driving Speed(I/II)	10/22km/h	Working Pressure	17mpa
Fuel Consumption Ration	235g/km·h	Wheel Base	2282mm
Engine Model	Xinchai 490	Breakout Force	28kn
Engine Power	36.8kw	Tyre	20.5/70-16
Service Brake	Four Wheel Hydraulic Spread-Shoed Brake	Oil Flow	66L/min
		Rated Speed	2650r/min

**Qingdao Everun Machinery Co.,Ltd**

Address : Room 902, Yongxin International Finance Centre  
No.6 Qinling Road, Qingdao, China

Tel : +86-532-80997859

Website: [www.everun.cc](http://www.everun.cc)

•••••  : [www.everun.com](http://www.everun.com)

Email : [info@everun.cc](mailto:info@everun.cc)

Fax: +86-532-80993178

